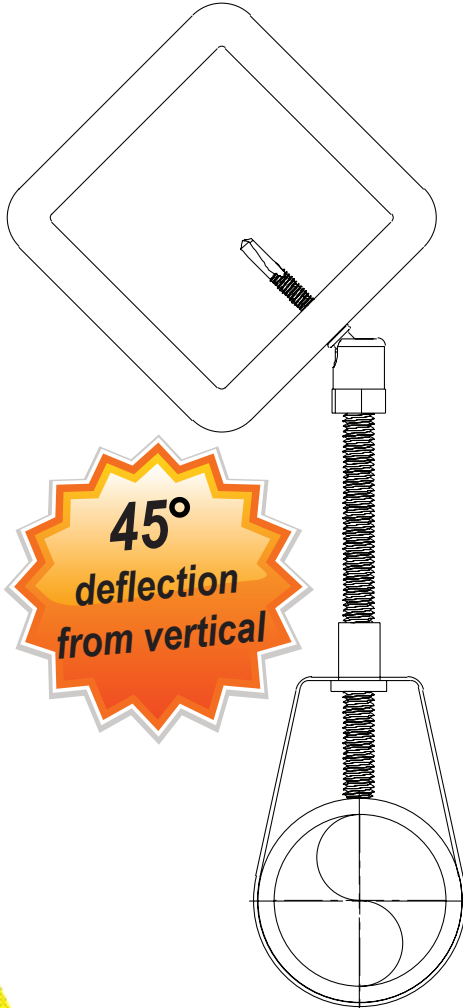


SAMMYS®

SH-TEK 50 for attachment of 3/8" Threaded Rod to structural and tubular steel.

Patent Pending



Product Features

- Flexible head is designed to hang plumb in extreme roof pitches (12/12).



- 0-89° off vertical.
- Unique double fluted TEKS® point has precise cutting edges to improve drill performance with less effort.
- No pre-drilling required.
- Non-walking point provides fast material engagement.
- No retaining nut required; access to the back of the installed fastener is not required.

Product Benefits

- Installs in seconds.
- Reduces installation and material costs.
- Swivels to adjust to the slope of the structure.

Installation Tool



- #14 SH Nut Driver (ORANGE)* (Part No. 8273910)



Product Listing

Approvals	Rod Size	Part Number	Model	Description	Ultimate Pullout (lbs.)	UL Test Load (lbs.)	UL Pipe Size	Min Thick	Max Thick	Box Qty	Case Qty
UL	3/8"	8268957	SH-TEK 50	12-24 x 1-5/8" TEKS 5	2368 (1/2" steel Vertical) 1306 (45° off Vertical) 2281 (3/16" HSS) 1585 (3/16" HSS 45° off Vertical)	1500 (Vertical) 850 (45° off Vertical)	4" 2-1/2"	3/16"	1/2"	25	125

ITW Buildex
 www.itwbuildex.com
 800-BUILDEX

Sammys® and Teks® are registered trademarks of ITW Buildex and Illinois Tool Works, Inc.
 © 2009 ITW Buildex and Illinois Tool Works, Inc.
 SSS52 rev. 0409

*Note: Warranty void if appropriate nut driver is not used for installation.
 Eye protection should be worn at all times when installing this product.

Ask for
SAMMYS®
 in the Yellow Box!

