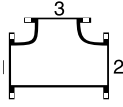
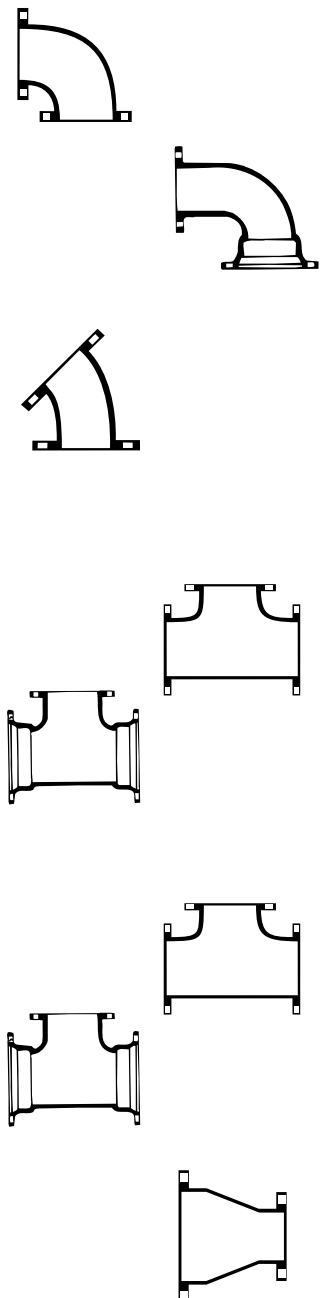


# Flanged Fittings

## Fittings

PFS Number	Mfg. Number	Description	Pack
<p><b>ABBREVIATIONS</b></p> <p>FLG = Flanged IPS = Iron Pipe Size MJ = Mechanical Joint</p> <p><b>FLANGED FITTINGS</b></p> <p>Rated for working pressures to 250 PSI. Cast or ductile iron, cement lined, red primer or bituminous black coating. All necessary accessories are available separately.</p> <p><b>90° Elbows</b></p> <p>544004 4" FLG 544006 6" FLG 544008 8" FLG 544010 10" FLG</p> <p>542004 4" MJ X FLG 542006 6" MJ X FLG 542008 8" MJ X FLG 542010 10" MJ X FLG</p> <p><b>45° Elbows</b></p> <p>544014 4" FLG 544016 6" FLG 544018 8" FLG</p> <p><b>Tees</b></p> <p>Tees are read straight through and then outlet 1,2,3.</p> <div style="text-align: center;">  </div> <p>544044 4" FLG 544046 6" FLG 544048 8" FLG 544050 10" FLG</p> <p>542024 4" MJ X MJ X FLG 542026 6" MJ X MJ X FLG</p> <p><b>Tees - Reducing</b></p> <p>544064 6" X 6" X 4" FLG 544066 6" X 4" X 6" FLG 544084 8" X 8" X 4" FLG 544086 8" X 8" X 6" FLG 544188 8" X 6" X 8" FLG</p> <p>542064 6" X 6" X 4" MJ X MJ X FLG 542084 8" X 8" X 4" MJ X MJ X FLG 542086 8" X 8" X 6" MJ X MJ X FLG</p> <p><b>Reducers - Concentric</b></p> <p>544164 6" X 4" FLG 544184 8" X 4" FLG 544186 8" X 6" FLG</p>			

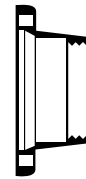
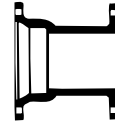
⊕ SIGMA<sup>®</sup> / NAPPCO<sup>®</sup>



## Adapters & Flanges

PFS Number	Mfg. Number	Description	Pack
<p><b>Adapters - Mechanical Joint</b> Used to transition from flanged fittings to mechanical joint.</p>			
542104		4" MJ X FLG	1
542106		6" MJ X FLG	1
542108		8" MJ X FLG	1
542110		10" MJ X FLG	1
<p><b>FLANGES</b> All flanges are drilled and faced for 125 lb. pattern unless otherwise noted. Flanges - High Hub Used for joining threaded DI pipe to a flanged fitting.</p>			
545244		4" FLG X FIP	1
<p><b>Flanges - Companion</b> Adapts flanged connection to IPS while maintaining the pipe diameter.</p>			
545201	20	2" FLG X IPS - 6" DIAMETER	1
545202	20	2-1/2" FLG X IPS - 7" DIAMETER	1
545203	20	3" FLG X IPS - 7-1/2" DIAMETER	1
545204	20	4" FLG X IPS - 9" DIAMETER	1
545206	20	6" FLG X IPS - 11" DIAMETER	1
545208	20	8" FLG X IPS - 13-1/2" DIAMETER	1
<p><b>Flanges - Reducing</b> Adapts flanged connection to IPS while reducing the pipe diameter.</p>			
545214	71	2" X 4" IPS X FLG - 9" DIAMETER	1
545216	71	2" X 6" IPS X FLG - 11" DIAMETER	1
545217	71	2-1/2" X 4" IPS X FLG - 9" DIAMETER	1
545219	71	2-1/2" X 6" IPS X FLG - 11" DIAMETER	1
545212	71	3" X 4" IPS X FLG - 9" DIAMETER	1
545215	71	3" X 6" IPS X FLG - 11" DIAMETER	1
545218	71	4" X 6" IPS X FLG - 11" DIAMETER	1
545220	71	4" X 8" IPS X FLG - 13-1/2" DIAMETER	1
545222	71	6" X 8" IPS X FLG - 13-1/2" DIAMETER	1
<p><b>Flanges - Blind</b> Closes a flanged opening.</p>			
545224	19	4" FLG - 9" DIAMETER	1
545226	19	6" FLG - 11" DIAMETER	1
545228	19	8" FLG - 13-1/2" DIAMETER	1

⊕ SIGMA\* / NAPPCO\*



⊕ Grinnell  
CAST IRON FITTINGS



# Flanged Fittings

## Flanges & Accessory Packs

PFS Number	Mfg. Number	Description	Pack
<b>Flanges - Slip Weld and Reducing</b> Welds on to plain end pipe, allowing the transition to flanged fittings.			
545282	SF25	2-1/2"	1
545283	SF30	3"	1
545284	SF40	4"	1
545286	SF60	6"	1
545288	SF80	8"	1
545290		10"	1
545150		2-1/2" X 9"	1
545155		3" X 9"	1
545158		3" X 11"	1
545165		4" X 11"	1
545167		4" X 13-1/2"	1
545170		6" X 13-1/2"	1
<b>Uniflange Packs</b> Allows the joining of plain end pipe to a flanged fitting. Includes a gasket and all necessary nuts and bolts.			
545264		4" - E-Z FLANGE	1
545266		6" - E-Z FLANGE	1
545268		8" - E-Z FLANGE	1
545270		10" - FOR DUCTILE IRON	1
<b>Flange Packs</b> Used to connect two flanges. Each kit contains a gasket and all necessary nuts and bolts.			
543202		2-1/2" - 150 LB.	1
543203		3" - 150 LB.	1
543204		4" - 150 LB.	1
543206		6" - 150 LB.	1
543208		8" - 150 LB.	1
543210		10" - 150 LB.	1
<b>MJ Accessory Packs</b> Used when joints are not required to be restrained. Each pack contains a ductile iron gland, a gasket, and all necessary nuts and bolts.			
543004	DGP4	4"	1
543006	DGP6	6"	1
543008	DGP8	8"	1
543010	DGP10	10"	1
<b>Ring Gaskets</b> Used as the primary seal between flanged fittings. Red rubber.			
528032		2" X 1/8" THICK	1
528036		4" X 1/8" THICK	1
528038		6" X 1/8" THICK	1
528039		8" X 1/8" THICK	1
528040		10" X 1/8" THICK	1

